

Hitachi Kokusai Electric

HITACHI

Inspire the Next

High Performance,
Multi-format Compact, HDTV Box Camera

DK-H200

HDR
HIGH DYNAMIC RANGE



The DK-H200 is a high-performance, special application HDTV camera that is ideal for point of view, Pan/Tilt remote observation and studio applications. Incorporating High Dynamic Range and 2.6 mega-pixel 3-MOS sensors, the DK-H200 provides outstanding performance. The camera offers sharper and cleaner HD images due to Hitachi's implementation of the latest digital processing technology. The camera achieves outstanding high sensitivity and no vertical smear.

Features

● Image Sensor

The 2.6 million pixels 2/3-inch native 1080p MOS image sensor.

● Multi-format

Various formats are able to be selectable.

Video Format : 1080p, 1080i, 720p

Frame Rate : 59.94 Hz, 50 Hz, 60 Hz

● High sensitivity and Signal to Noise ratio

Low-noise circuit technology provides a signal to noise ratio of 60dB. Even at high gain, clear images are obtained with little noise.

The standard sensitivity is F12(59.94 Hz), F13(50 Hz) at 2000 lx. The sensitivity can be increased by Master Gain and long exposure mode to reproduce dark images with a minimum illumination of 0.002 lx at F1.4.

● High Dynamic Range

Hybrid Log-Gamma (HLG) and Perceptual Quantization (PQ)

● Full Auto

The built-in Automatic Exposure System (AES), Automatic Gain Control (AGC) and automatic iris maintain the video level even with rapidly changing light intensity.

Full-time Auto White balance (FAW) corrects in real-time for color temperature variations due to changing types of lighting conditions on the scene object.

● DSP(Digital Signal Processing) provide advanced image handling and adjustment functions

- Real-time Lens Aberration Correction (RLAC)
Lens chromatic aberration of magnification is reduced by digital processing with supporting lenses.
- Knee saturation and auto-knee
- 12-Vector and Linear Matrix masking
- Ultra Gamma
- Gray Scale Automatic Setup
- Automatic White Shading

● Extensive User-Friendly Features

- Focus assist
Focus assist indicator can be displayed on VF Out and viewfinder for easy focusing.
- Eight scene files
The scene file is provided to store and recall functions such as gain, detail, masking, gamma and other settings.
- Eight lens files
The lens file is provided to store and recall such as white shading, iris speed, iris open limit, and iris close limit.
- ECC (Electric Color Compensating) filter

Specifications

Image sensor	2/3-inch, MOS image sensor Total pixels 2,270 (H) × 1,144 (V) 2.6 million pixels Effective pixels 1,920 (H) × 1,080 (V)
Signal format	1080p, 1080i, 720p
Optical Filter	1x motorized filter wheel ND(CLEAR, 1/4 ND, 1/16 ND, 1/64 ND)
ECC	3200 K, 4300 K, 5600 K, 6300 K, 8000 K
HD Resolution	1100TVL
HD SNR	60dB(HD-SDI output decode Y channel)
Sensitivity	1080/59.94p, 59.94i, 60p, 60i : F12 @ 2000 lx, 3200 K, 89.9% reflectance 1080/50p, 50i : F13 @ 2000 lx, 3200 K, 89.9% reflectance
Minimum illumination	0.002 lx (at F1.4, 36dB Video Gain+36dB frame accumulation mode)
Vertical Smear	No smear
Gain selection	L (low) -3/0dB M (medium) 0/+3/+6/+9/+12/+15/+18/+21dB H (high) +3/+6/+9/+12/+15/+18/+21/+24/+27/+30/+33/+36dB
Modulation Depth	Min 50% (16 : 9 @27.5 MHz)
Shutter	Preset mode 1/100, 1/250, 1/500, 1/1000, 1/2000, 1/4000, 1/10000 second (59.94p, 59.94i, 60p, 60i) 1/60, 1/250, 1/500, 1/1000, 1/2000, 1/4000, 1/10000 second (50p, 50i)
	VAR scan mode 1/60.15 to 1/9633, 1.07 to 0.03 second (59.94p, 59.94i, 60p, 60i) 1/50.17 to 1/11250, 1.28 to 0.04 second (50p, 50i)
	AES mode Automatic video level control by shutter speed.
Dimensions	99(W) x 105(H) x 155(D) mm (excluding protrusions)
Power Consumption	approx. 18 W (DC 12 V)
Temperature range	Operation -10 °C to +45 °C , 14 °F to +113 °F Storage -20 °C to +60 °C , -4 °F to +140 °F
Mass	approx. 1.3 kg (2.9 lbs)

Input / Output

Gen-Lock Input	BNC for Tri-level sync or Black Burst
SDI Output	MON OUT:1 x BNC HD-SDI out (Character ON/OFF) SDI OUT:1 x BNC HD-SDI out
Remote Control	1:4-pin Multi connector for Remote Control Unit 2:8-pin RJ-45 connector for 10BASE-T/100BASE-T
Lens Control	12-pin Multi LENS connector
VF Output	15-pin D-SUB connector for VF
Power supply Input	4-pin XLR connector DC 12 V (10.5 V to 17 V)

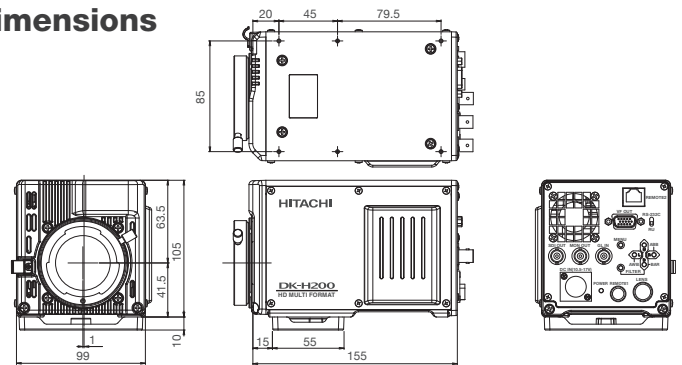
Standard composition

Camera Head DK-H200	1
Lens Mount Cap	1
Operating Instructions	1

Accessories

Remote Control Unit	RU-1000VR / RU-1500JY
Setup Control Unit	SU-1000
AC adaptor	IA60a (I.D.X)
Lens Extension Cable	ECE-R22(0.22 m)(FUJIFILM)

Dimensions



⚠ CAUTION : To ensure safe operation, please read the instruction manual before using this product.

Hitachi Kokusai Electric Inc.

32, Miyuki-cho, kodaira-shi, Tokyo 187-8511, Japan
Phone : +81-50-3383-3432, Fax : +81-42-322-3270
URL : <http://www.hitachi-kokusai.co.jp/global/index.html>

Hitachi Kokusai Electric Asia (Singapore) Pte. Ltd.

Head Office : 7 Tampines Grande, #02-04 Hitachi Square, Singapore 528736
Phone : +65-(0)6212-1945, Fax : +65-(0)6231-2429

China Office : Room 1801, Beijing Fortune Bldg, 5 Dong San Huan Bei-Lu, Chao Yang District, Beijing 100004, China
Phone : +86(0) 10-6590-9067, Fax : +86(0) 10-6590-8110

Korea Office : 7F, The Korea Chamber of Commerce & Industry 45, Namdaemunro 4ga, Jung-gu, Seoul, 100-743, Korea
Phone : +82-(0)2-6050-8581, Fax : +82-(0)2-6050-8589

Hitachi Kokusai Electric America, Ltd. URL: <http://www.hitachikokusai.us>

Headquarters : 150 Crossways Park Drive, Woodbury, NY 11797, U.S.A.
Phone : +1 (516) 921-7200, Fax : +1 (516) 496-3718

West Office : 11258 Monarch Street, Unit H, Garden Grove, CA 92841, U.S.A.
Phone : +1 (714) 895-6116, Fax : +1 (714) 895-6252

Northeast Sales : Phone : +1 (860) 757-3892 **South Sales** : Phone : +1 (850) 934-1234
Midwest Sales : Phone : +1 (330) 334-4115 **Latin Sales** : Phone : +1 (516) 682-4408

Hitachi Kokusai Electric Canada, Ltd.

Headquarters : 1 Select Avenue, Unit#12, Scarborough, Ontario M1V 5J3, Canada
Phone : +1(416)299-5900, Fax : +1(416)299-0450

Eastern Office : Phone : +1(514)332-6687

These Specifications are subject to change without notice.

Hitachi Kokusai Electric Europe GmbH URL : <http://www.hitachi-keu.com>

Frankfurt Head Office : Siemensstr. 9, D-63263 Neu-Isenburg, Germany
Phone : +49(0) 6102-8332-0, Fax : +49(0) 6102-202616

London Office : Windsor House, Queensgate, Britannia Road, Waltham Cross, Hertfordshire EN8 7NX, United Kingdom
Phone : +44(0) 845-121-2177, Fax : +44(0) 845-121-2180
General email address : webmaster@hitachi-keu.com

Hitachi Kokusai Linear Equipamentos Eletrônicos S/A URL : <http://www.linear.com.br>

Head Office : Rodovia BR 459, No121-A, Km 121 - Bairro Corrego Raso, Santa Rita do Sapucaí, MG -Brazil
Phone : (+55 35) 3473-3473, Fax : (+55 35) 3473-3474

Sales Office : Alameda Santos, 745 - Conj. 91B - Jardim Paulista - São Paulo-SP -Brazil
Phone : (+55 11) 3541-3244, Fax : (+55 11) 3541-2425

Hitachi Kokusai Electric Turkey Elektronik Ürünleri Sanayi ve Ticaret A.Ş.

URL : <http://www.hitachi-kokusai.com.tr>

Head Office : Palladium Ofis ve Residence Binasi Barbaros Mahallesi Halk Caddesi No:8/A Kat:2-3 34746 Atasehir Istanbul Turkey
Phone : +90-216-663-6045, Fax : +90-216-663-6100

Branch : Istanbul Endüstri ve Ticaret Serbest Bölgesi Akif Kopuz Caddesi No:3 34957 Tuzla Istanbul Turkey
Phone : +90-216-394-2908, Fax : +90-216-394-2909